

PRODUCT CODE: PS2B
PLAIN SADDLE

DESCRIPTION

25mm Plain Saddle

FINISH

Black Enamel

MATERIAL

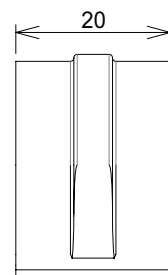
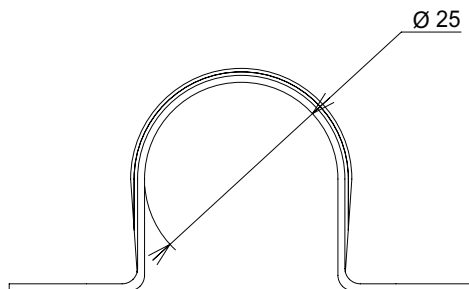
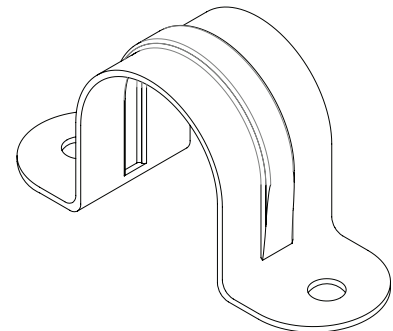
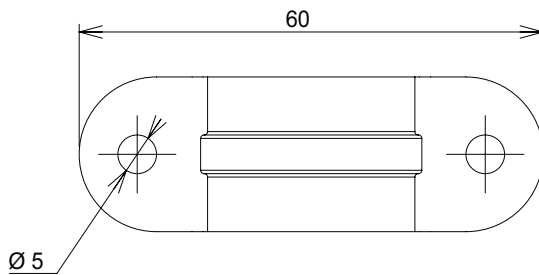
Pressed Steel

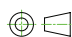
PACKAGING

Packed in qty 100

ADDITIONAL NOTES

Conforms to BS EN61386-1
Compliant to LU Standard 1-085 (for use on surface & sub-surface locations)



 Values are nominal and with a general tolerance $\pm 5\%$ unless otherwise specified